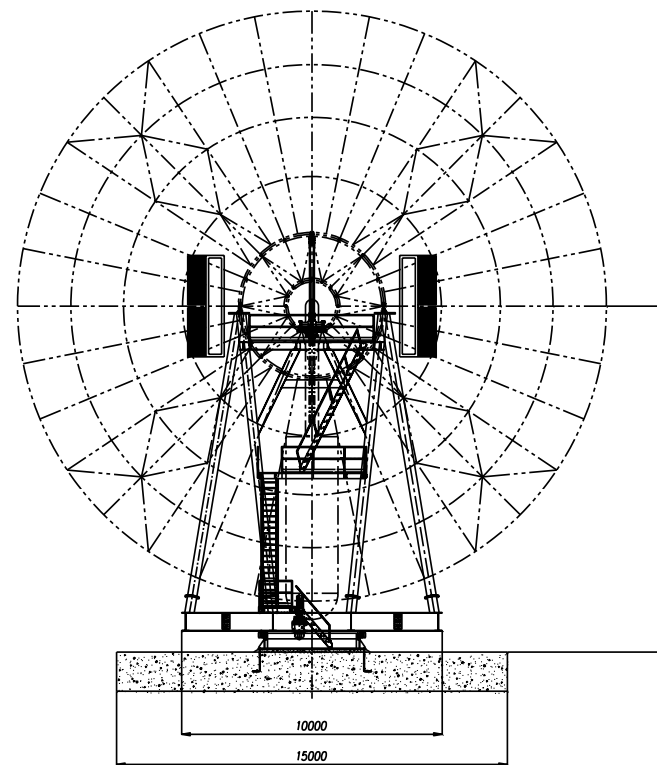
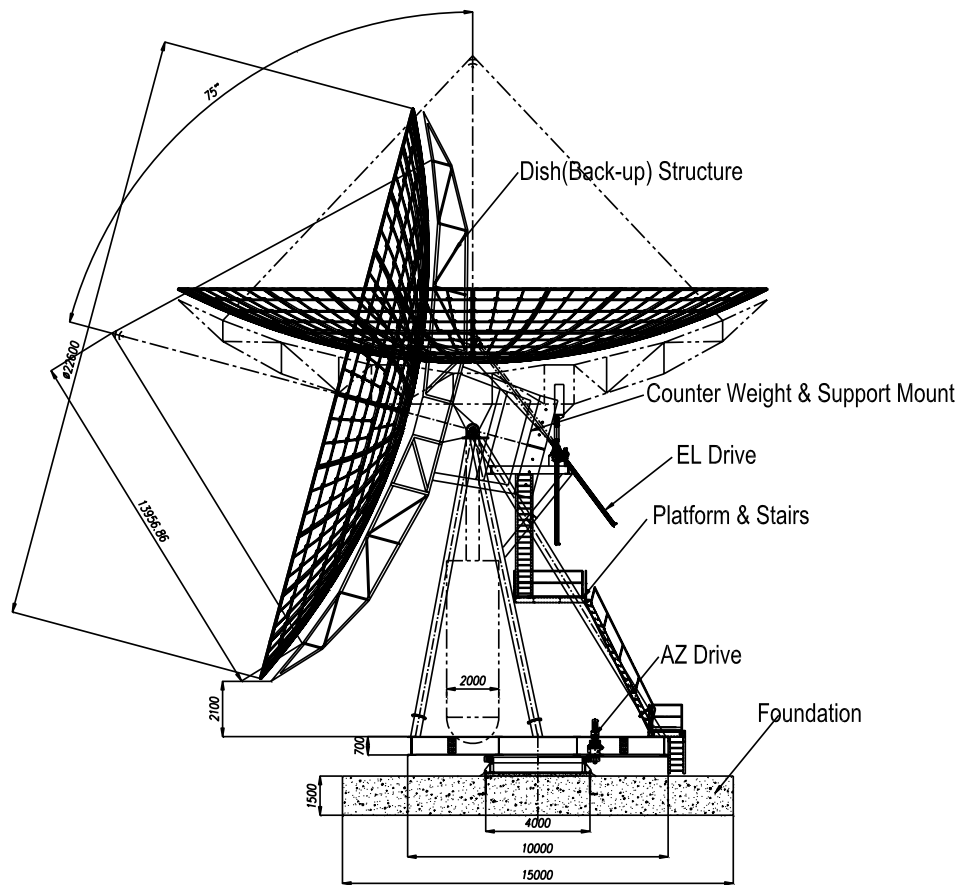
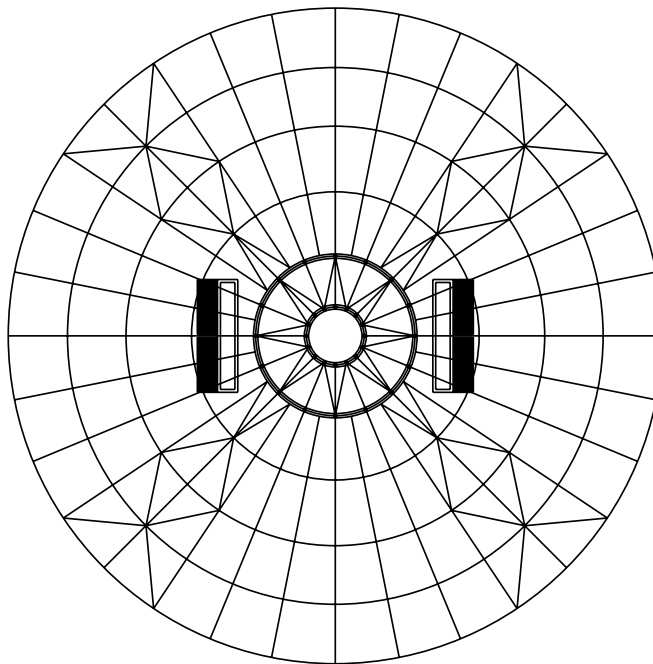
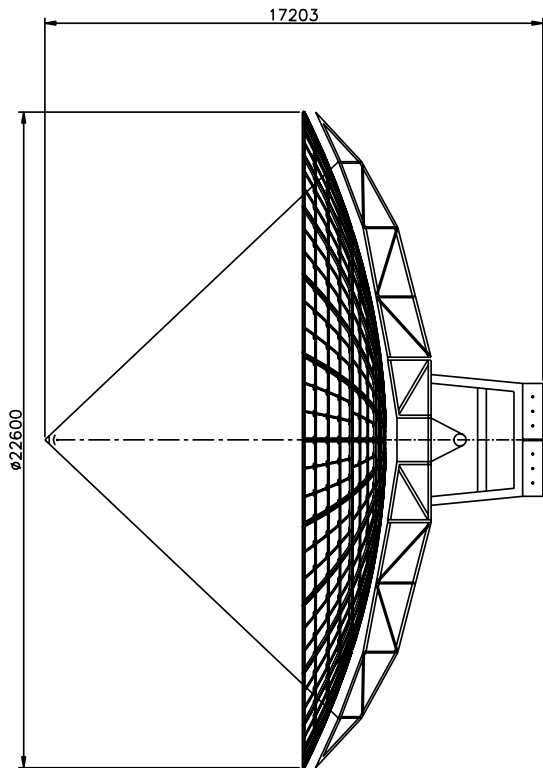


REVISIONS				
MARK	DESCRIPTION	NAME	APPRO	DATE
Δ				



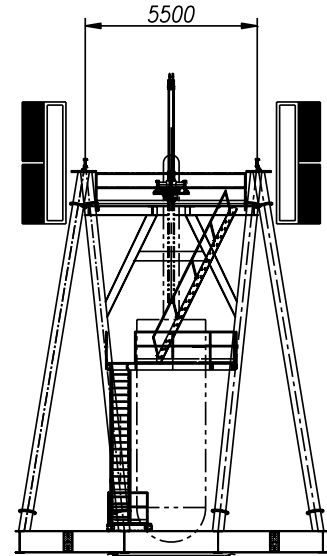
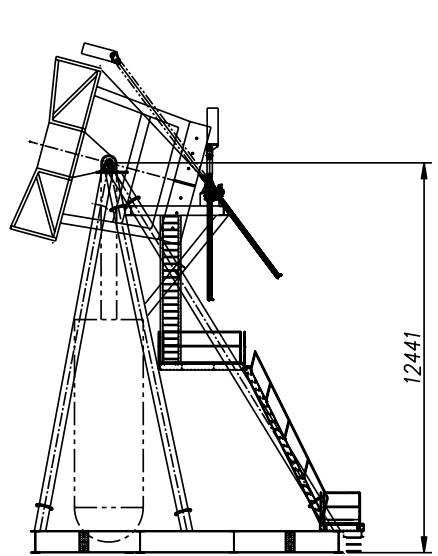
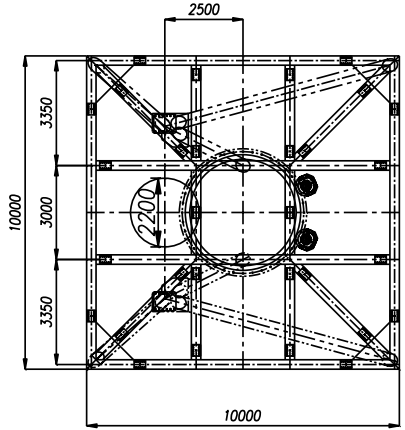
APPRO	DATE		
	2011.06		
CHECK	WEIGHT	ITEM	S-Project
	- Kg	TITLE	
DESIGN	UNIT		
	mm		
DRAWN	SCALE	SIZE	CUSTOMER
	1/1	A3	DWG NO S220501A 000000-00 SHEET 01 of 01

REVISIONS				
MARK	DESCRIPTION	NAME	APPRO	DATE
Δ				



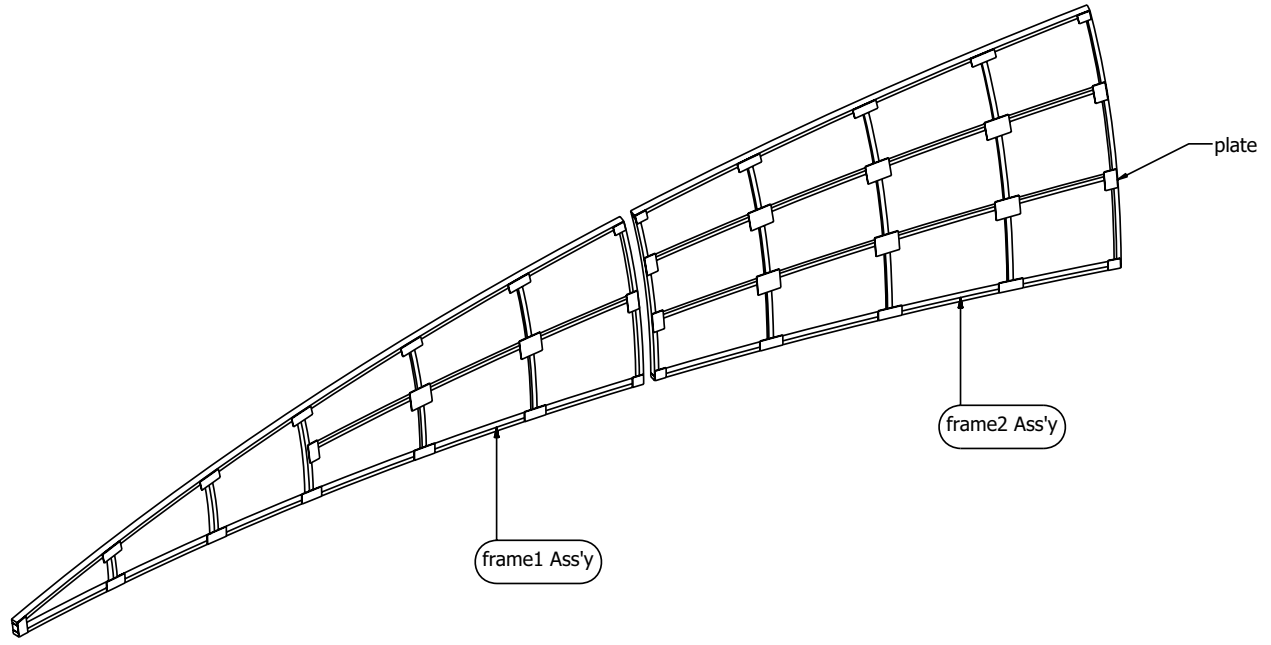
P.NO	DESCRIPTION	Q'TY	MAT'L	SIZE	REMARKS
APPRO	DATE				
	2011.06	-			
CHECK	WEIGHT	ITEM	S-Project		
	- Kg	TITLE			
DESIGN	UNIT				
	mm				
DRAWN	SCALE	SIZE	CUSTOMER		
	NS	A3	DWG NO S220S01A	010000-00	SHEET 01 of 01

REVISIONS				
MARK	DESCRIPTION	NAME	APPRO	DATE
Δ				



P.NO	DESCRIPTION	Q'TY	MAT'L	SIZE	REMARKS										
APPRO	DATE	<table border="1"> <tr> <td>2011.06.</td> <td>⊕</td> </tr> </table>				2011.06.	⊕								
2011.06.	⊕														
CHECK	WEIGHT	<table border="1"> <tr> <td>- Kg</td> <td>ITEM</td> <td colspan="3">S-Project</td> </tr> <tr> <td></td> <td>TITLE</td> <td colspan="3"></td> </tr> </table>				- Kg	ITEM	S-Project				TITLE			
- Kg	ITEM	S-Project													
	TITLE														
DESIGN	UNIT	<table border="1"> <tr> <td>mm</td> <td>SIZE</td> <td colspan="3">CUSTOMER</td> </tr> </table>				mm	SIZE	CUSTOMER							
mm	SIZE	CUSTOMER													
DRAWN	SCALE	<table border="1"> <tr> <td>NS</td> <td>A3</td> <td>DWG NO</td> <td>S220S01A - 020000-00</td> <td>SHEET</td> <td>01 of 01</td> </tr> </table>				NS	A3	DWG NO	S220S01A - 020000-00	SHEET	01 of 01				
NS	A3	DWG NO	S220S01A - 020000-00	SHEET	01 of 01										

REVISIONS				
MARK	DESCRIPTION	NAME	APPRO	DATE
Δ				



P.NO	DESCRIPTION	Q'TY	MAT'L	SIZE	REMARKS
APPRO	DATE				
CHECK	WEIGHT	- Kg S-Project			
DESIGN	UNIT	TITLE			
DRAWN	SCALE	CUSTOMER			
	NS	SIZE	DWG NO S220S01A - 030000-00 SHEET 02 of 02		

